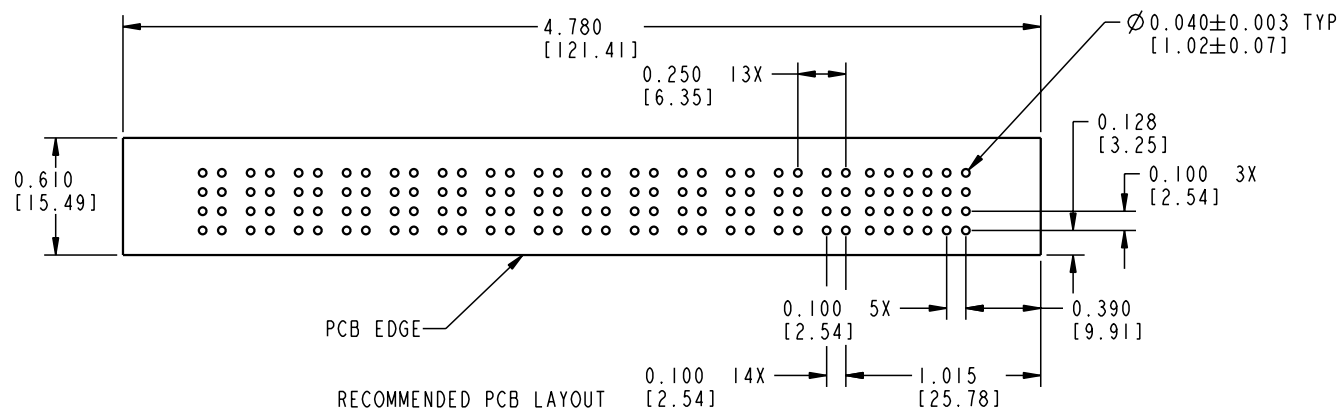
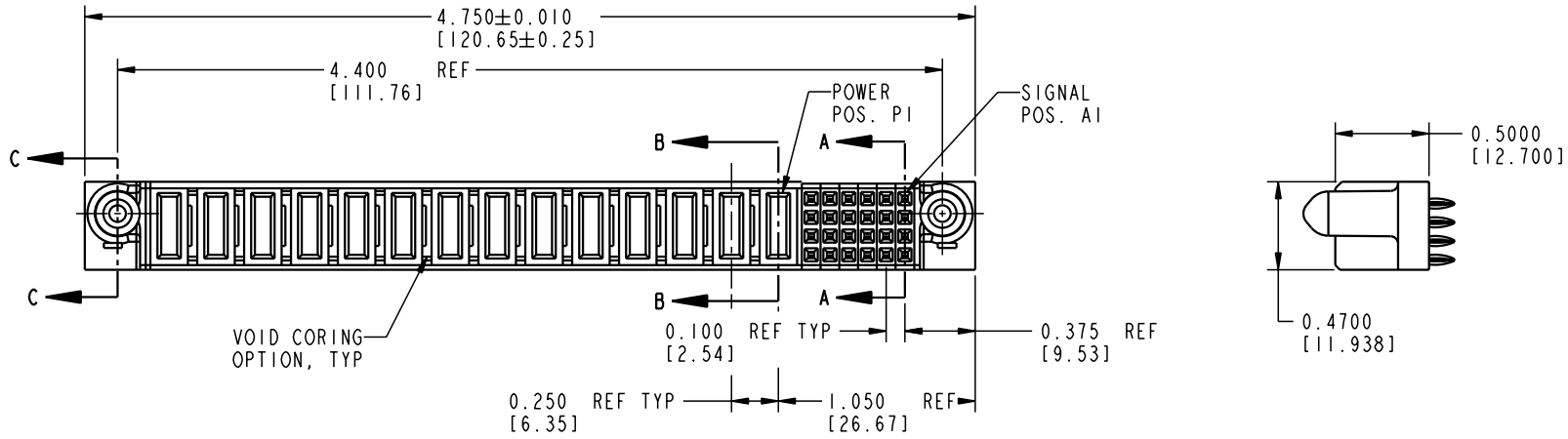


Tous droits strictement réservés. Reproduction ou communication o des liers interdite sous quelque forme que ce soit sans autorisation écrite du propriétaire. Propriete de c FCI. Droits de reproduction FCI.

All rights strictly reserved. Reproduction or issue to third parties in any form whenever is not permitted without written authority from the proprietor. Property of FCI. Copyright FCI.



PRODUCT No.	ROWS	POWER														SIGNAL							
		E2	P14	P13	P12	P11	P10	P9	P8	P7	P6	P5	P4	P3	P2	P1	6	5	4	3	2	1	E1
51741-10002414CC	D C B A		PC	PC	PC	PC	PC	PC	PC	PC	PC	PC	PC	PC	PC	PC	F	F	F	F	F	F	



CODE	DIM "M" MATING LENGTH	DIM "T" TAIL LENGTH	CONTACT TYPE
F	N/A [N/A]	0.135 [3.43]	SIGNAL
PC	0.042 [1.07]	0.135 [3.43]	POWER

mat'l code				NOTE 1		tolerances unless otherwise specified		CUSTOMER	
lfr	ecm no.	dr	date	linear	.XX±.01/0.X±0.3	projection	COPY		
A	V12482	JWS	10/11/01	angles	.XXX±.005/0.XX±0.13		FCI ELECTRONICS www.fciconnect.com		
				dr	.XXX±.0020/.XXX±.051	INCH/MM	title 24S + 14P VERTICAL PRESSFIT RECEPTACLE		
				engr	0°±2°	scale	product family PwrBlade code 213		
				chr		1:1	size dwg no 51741-10002414CC sheet 1 of 2		
				appd			A		
sheet index		revision sheet		A	A				
1		2							

Pro/E

cage code 22526

PDM: Rev:A

STATUS: Released

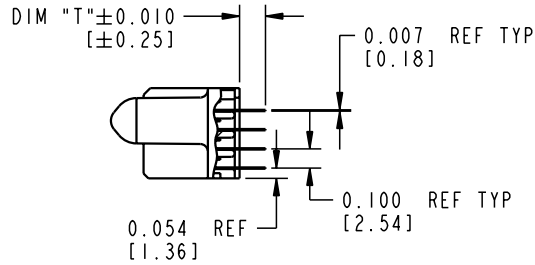
Printed: Aug 14, 2007

Tous droits strictement réservés. Reproduction ou communication o des tiers interdite sous quelque forme que ce soit sans autorisation écrite du propriétaire. Propriété de c FCI. Droits de reproduction FCI.

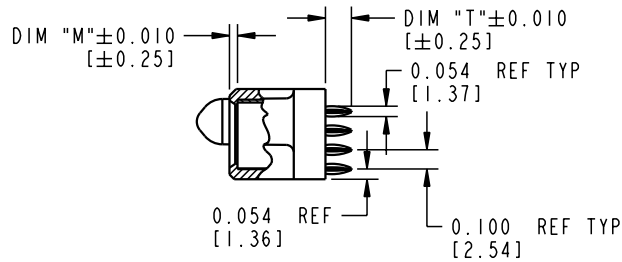
All rights strictly reserved. Reproduction or issue to third parties in any form whatever is not permitted without written authority from the proprietor. Property of FCI. Copyright FCI.



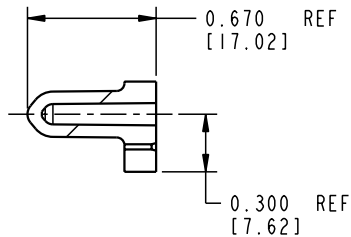
PRODUCT NUMBER
51741-10002414CC



SECTION A-A



SECTION B-B



SECTION C-C

CONNECTOR NOTES:

- FOR ADDITIONAL INFORMATION, REFER TO DRAWING NUMBER 51741.
- PCB NOTES:
- ALL DIMENSIONS ARE BASIC UNLESS OTHERWISE SPECIFIED.
- ALL THROUGH HOLES ARE LOCATED WITH A TRUE POSITION OF 0.004 [0.10]
- ALL HOLE DIAMETERS ARE FINISHED HOLE SIZE
- $\varnothing 0.0453 \pm 0.0010$ [1.151 ± 0.025] DRILLED HOLES PLATED WITH 0.0003 [0.008] MIN SnPb OVER 0.001 [0.03] TO 0.003 [0.08] Cu PLATING TO ACHIEVE A $\varnothing 0.040 \pm 0.003$ [1.02 ± 0.07] HOLE]

mat'l code		NOTE 1		tolerances unless otherwise specified		CUSTOMER		ELECTRONICS www.fciconnect.com	
ltr	ecn no.	dr	date	linear	.XX±.01/0.X±0.3	COPY		title	
A					.XXX±.005/0.XX±0.13	projection		24S + 14P	
				angles	.XXX±.0020/.XXX±.051			VERTICAL PRESSFIT RECEPTACLE	
				dr	0° ± 2°			product family	
				engr	J. SHAFFER 10/11/01	INCH/MM		PwrBlade	
				chr	J. ALLISON 10/11/01	scale		code	
				appd	J. ALLISON 10/11/01	1:1		213	
sheet index	revision sheet							sheet	
								2	

Pro/E

cage code 22526

PDM: Rev:A

STATUS: Released

Printed: Aug 14, 2007